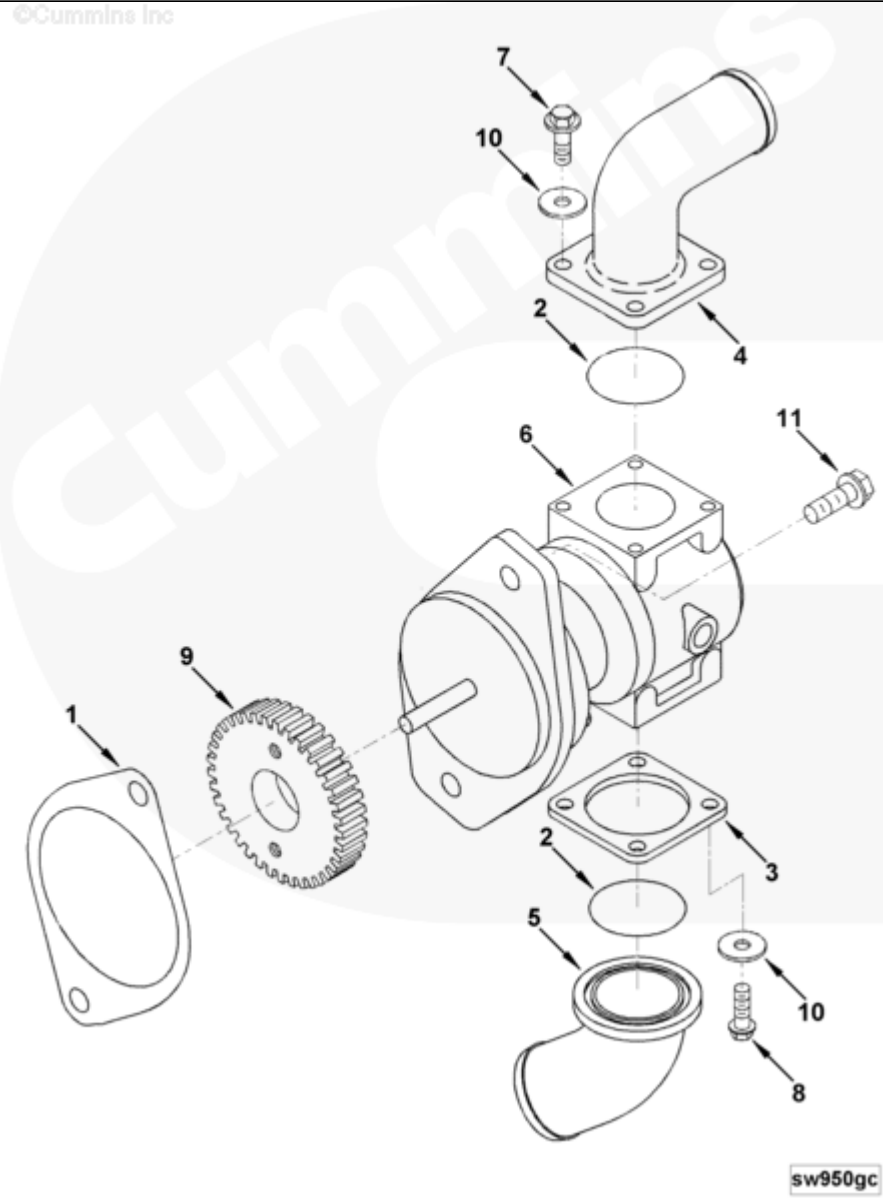




Parts Catalog - Option Detail


Electronic Parts Catalog - Option Detail				
Option	Group	Graphic	Film Card	Date
SW9037	08.11	sw950gc	Z	12-NOV-96
Engines	6C8.3, C GAS PLUS CM556, G8.3, G8.3 CM558, GTA8.3 CM558, ISC CM2150, ISC CM554, ISC CM850, ISC8.3 CM2250, ISC8.3 G CM2180 C101, ISL CM2150, ISL CM554, ISL CM850, ISL G CM2180, ISL8.9 CM2150 L110, ISL8.9 CM2880 L112, ISL9 CM2150 SN, ISL9 CM2250, ISL9 CM2350 L101, ISL9 CM2350 L111, ISLE4 CM850, L GAS PLUS CM556, L8.9, L8.9 L121, L8.9G CMOH2.0 L125B, L9 CM2350 L116B, L9 CM2350 L119B, L9 CM2350 L120C, L9 CM2350 L123B, L9.3 L105, L9.5 L117, L9N CM2380 L124B, QSC8.3 CM2250, QSC8.3 CM2880 C102, QSC8.3 CM554, QSC8.3 CM850(CM2850), QSL9 CM2250, QSL9 CM2250 L115, QSL9 CM2350 L102, QSL9 CM2350 L107, QSL9 CM2350 L118, QSL9 CM2350 L122, QSL9 CM554, QSL9 CM850(CM2850), QSL9 G CM558, QSL9 M CM2250 L106, QSL9.3 CM2880 L113			



sw950gc

SMALL | MEDIUM | LARGE

Cart	Ref No	Part Number	Part Description	Required	Remarks
View My Cart					
		SW9037	Raw Water Pump		MR - PUMP, RAW WATER...(More)
					Cylinders: 6
					Mfg-Model: Sherwood P1730
					SBD
					Flow Rate GPM at RPM (8 PSI
					Back Pressure): TBD
					Drive Method: Accessory
					Drive Gear
					Outlet Flange: 101-2 (SAE B)
					Inlet OD (mm): 50.8
					Outlet OD (mm): 44.50
					Marine Up-Grade Engine: Yes
					Restricted Fuel Pump: Bosch
					P7100
					Engine Family: B & C Series
<input type="checkbox"/>	1	3008400	Hydraulic Pump Gasket	1	
<input type="checkbox"/>		3866493	Sea Water Pump	1	
<input type="checkbox"/>	2	3866102	O-Ring Seal	2	
<input type="checkbox"/>	3	3866706	Flange	1	
<input type="checkbox"/>	4	3866707	Water Outlet Connection	1	
<input type="checkbox"/>	5	3897634	Water Inlet Connection	1	
<input type="checkbox"/>	6	3897691	Sea Water Pump	1	
<input type="checkbox"/>	7	3900630	Hexagon Flange Head Cap Screw	4	M8 X 1.25 X 20
<input type="checkbox"/>	8	3900631	Hexagon Flange Head Cap Screw	4	M8 X 1.25 X 25.
<input type="checkbox"/>	9	3931338	Accessory Drive Gear	1	
<input type="checkbox"/>	10	3924653	Plain Washer	8	8.4mm

	11	3910495	Hexagon Flange Head Cap Screw	2	M12 X 1.75 X 30.
--	----	-------------------------	-------------------------------	---	------------------

© 2019 Cummins Inc., Box 3005, Columbus, IN 47202-3005 U.S.A.
Terms of Use and Disclaimers | Recommended System Requirements
Need Assistance? Please click on the Contact Us button in the top right corner of any page.